

NEC 2x2 LCD TileMatrix™ Video Wall Solutions

40"/46"/52" NEC Professional-Grade LCD Display/Mounting System/Cabling/Power Suppression



NEC Display Solutions' complete 2x2 LCD TileMatrix Video Wall Solutions provide for an all-in-one, easy-to-configure solution that is ideal for dynamic digital signage, information display and command & control applications.

Exclusive TileMatrix and TileComp™ technologies, combined with the thin-bezel design of NEC large-screen displays, provide for a near seamless video wall without the need for additional third-party equipment. When compared to 82"-108" single-screen displays, NEC's video wall solutions deliver a more cost-effective and easier-to-transport and install alternative for your application.

LCD technology alleviates downfalls affiliated with rear-projection and plasma displays. This includes improved color and brightness uniformity as well as full HD resolution (X461UN WXGA native) for stunning video clarity. In addition, one need not worry about the added expense of costly replacement lamps.

Solution Features and Benefits

TileMatrix allows you to build video walls up to 100 displays using only one video source. This helps avoid the hassle and extra costs of using splitters or connecting monitors to multiple sources.

TileComp works in tandem with TileMatrix to compensate for the bezel width and create a more seamless video wall

Copy function allows the user to apply the settings from one display to all others in the RS-232 daisy chain, reducing setup time and saving money

Thin-bezel design provides for some of the smallest bezel widths in the industry (7.3mm screen-to-screen width for X461UN and 33mm for P401, P461 and P521)

Industry's most extensive display control, including RS-232, Ethernet connectivity, NaViSet software and DDC/CI standard

Rapid Response™ technology delivers virtually uninterrupted, undistorted viewing of high-speed, full-motion video

Thermal protection starts with an extra thermal layer on the professional-grade display panel to diffuse heat followed by fan-based technology specially designed to work in both landscape and portrait modes and be controlled locally or remotely.

Real-time clock allows for content scheduling and monitor sleep/wake management, improving energy savings and extending display life

NaViSet™ software utilizes the monitor's advanced control and diagnostics capabilities to provide AV and IT professionals with remote access to monitor settings over their existing network. This can be used in combination with daisy chain-enabled RS-232C to control individually addressable displays.

Mounting system is compact and slim, which allows the displays to be mounted as close to the wall as possible (Digital Factory PerfectAlign for P401, P461 and P521; Chief 2x2 wall mount for X461UN)

Overframe Bezel Kit completes your solution by offering a "finished & framed" look (two kits included with the X461UN-TMX4)

Remote Control and Ambient Light Sensor Kit provides the entire video wall with one sensor that detects ambient light and delivers simple remote control functionality (included with the X461UN-TMX4)

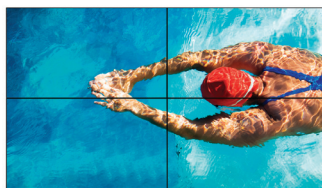
Extron® cables are premium quality and provide uncompromising high resolution signal distribution and multipurpose interconnectivity solutions for a wide range of professional, commercial, residential, themed entertainment and live event AV environments

Tripp Lite surge suppressor, featuring six outlets and \$50,000 ultimate lifetime insurance, prevents system crashes, reboots and performance problems

TARGET MARKETS

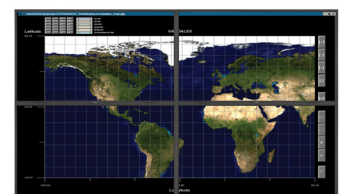
Public Information & Digital Signage

- Retail advertising/branding
- Hospitality
- Corporate lobbies
- FIDS/GIDS/BIDS
- Tradeshows
- Houses of worship
- Higher education



Command & Control

- Utilities
- Defense
- Homeland Security
- Weather stations
- Call centers
- Traffic management
- Broadcast stations
- NOCs



NEC 2x2 LCD TileMatrix Video Wall Solutions

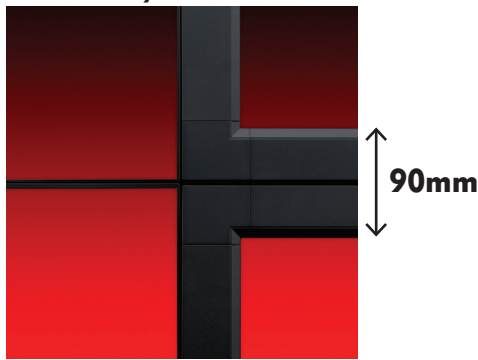
NEC Large-Screen LCDs

Your digital signage applications will never look the same. The 40" P401, 46" P461, 46" X461UN and 52" P521 give your messages and images the "wow factor" they need to reach audiences with maximum impact. In addition to the exclusive Digital Signage Technology Suite, which boasts more than 30 advanced features, these displays tout a thin bezel for tiled-wall configurations, a built-in expansion slot that future-proofs them for emerging technologies and HD resolution that turns heads and draws crowds. In addition, the bundled solution onsite service ensures that a comparable new or refurbished LCD unit will be replaced by a technician within one business day of a customer's call. This coverage provides quick turnaround times for displays that require replacing.*

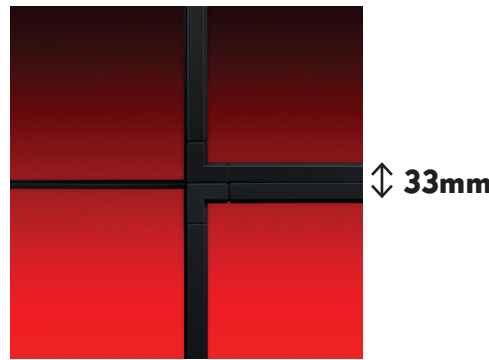


Model	P401	P461	X461UN	P521
Display				
Viewable Image Size (Diagonal)	40"	46"	46"	52"
Native Resolution	1920 x 1080	1366 x 768	1920 x 1080	1920 x 1080
Brightness (Typical)	500 cd/m ²			
Contrast Ratio (Typical)	3000:1	4000:1	3000:1	2000:1
Input Terminals				
RGB1 (Digital)	DVI-D			
RGB2 (Analog)	Analog D-sub			
RGB3 (Analog)	5 BNC (RGBHV)			
RGB4 (Digital)	DisplayPort	NA	DisplayPort	
Video 1	Composite (Shared RCA and BNC)			
Video 2	S-Video			
Video 3	HDMI			
Component Video (DVD/HD)	Component BNC			
Audio	Audio 1 (MiniJack), Audio 2 and 3 Stereo (RCA), HDMI / Internal Speaker: None			
Output Terminals				
RGB	Yes			
Video	Yes			
Audio	Yes			
External Control	RS-232 for multiple monitor control, IR, DDC/CI, RJ45			
Audio Amplifier	15W Stereo			
Net Weight (without stand)	64.8 lbs. / 29.4 kg	79.6 lbs. / 36.1 kg	64.6 lbs. / 29.3 kg	83.3 lbs. / 37.8 kg

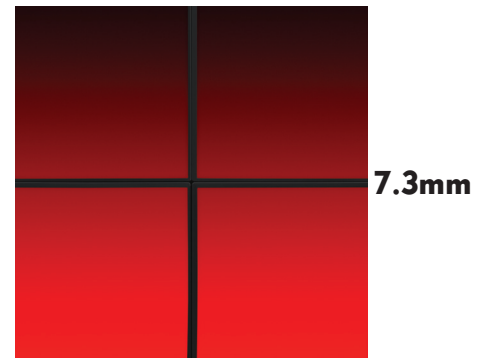
NEC MultiSync LCD4615



NEC P461



NEC X461UN



The X461UN's ultra-narrow bezel allows for a screen-to-screen distance between two neighboring displays of only 7.3mm, a more than 1200% improvement over the standard bezel width from NEC's 90mm 15 Series and close to 450% compared to its previously revolutionary 33mm Professional Series displays.



to build video walls up to 10x10



for window pane effect



for 178° wide-angle viewing



for full-motion video



to calibrate to same profile



to achieve consistent color performance

Extron Cables

Qty. 1

15-pin HD Male to BNC Male Mini High Resolution Cables

- High-performance cable designed for transmission of computer video
- Utilizes Extron MHR-5 Cable
- Smaller diameter, more flexible and easier to pull than regular coax cable, improving ease of installation
- NEC CM-rated, non-plenum cable
- Terminated with five high-quality 75-ohm BNC male connectors at one end



Qty. 3

BNC Male to Male Five Conductor MHR - Mini High Resolution Cables - Plenum

- High-performance coaxial cable for high-resolution video signal distribution
- Lighter, smaller in diameter and more convenient to install than standard coaxial cable
- Provides five 26 AWG, 75-ohm coaxial conductors in a single jacket
- Double-shielded to reduce crosstalk, maintaining the integrity of the video signal
- NEC CMP rated, plenum cable
- Terminated with high-quality 75-ohm BNC connectors



Tripp Lite surge suppressor

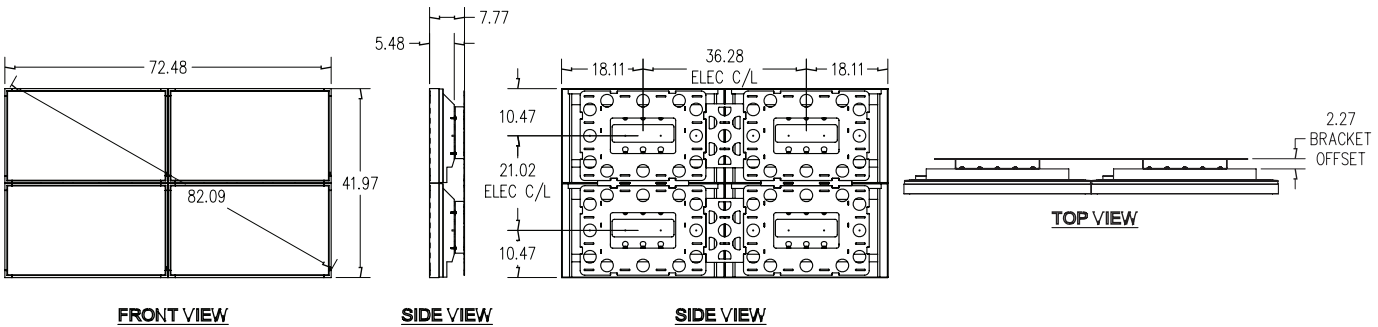
- Features six outlets/6-ft. cord
- \$50,000 Ultimate Lifetime Insurance (US/CDN)
- Network grade surge suppression rated at 2350 joules/97,000 amps
- Prevents system crashes, reboots and performance issues
- Keyhole mounting tabs allow permanent installation
- Lighted power switch confirms power on/off status
- Widely spaced outlets accommodate up to four large transformer plugs without blocking outlets



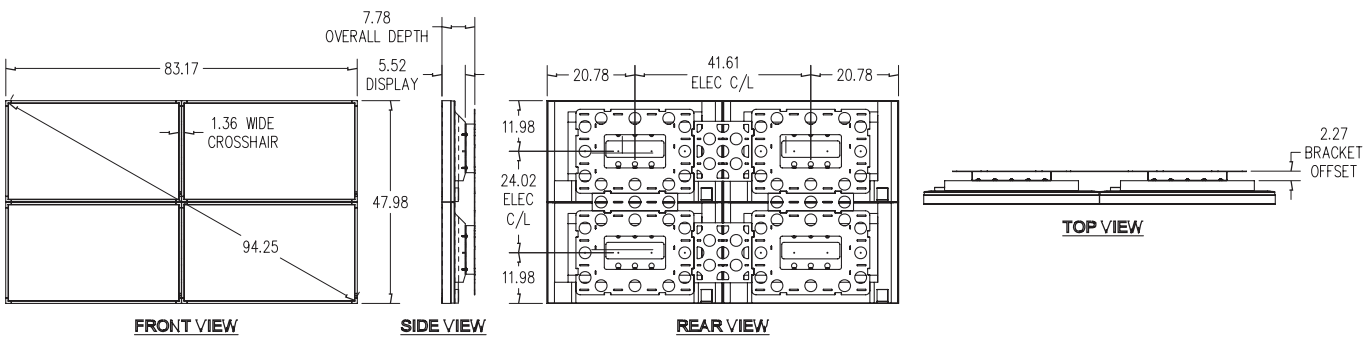
2x2 Video Wall System

Designed to support NEC's thin-bezel large-screen LCD displays, this mounting system allows installers to quickly assemble any video wall configuration imaginable. Easy to install and very simple to maintain, this mounting system ensures that every display is "perfectly aligned" the first time. The P401, P461 and P521 use Digital Factory's PerfectAlign, while the X461UN uses Chief's 2x2 system.

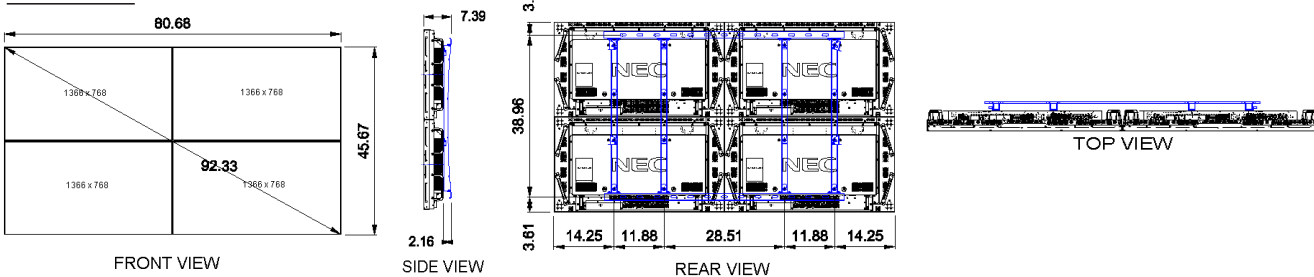
P401



P461



X461UN



P521

