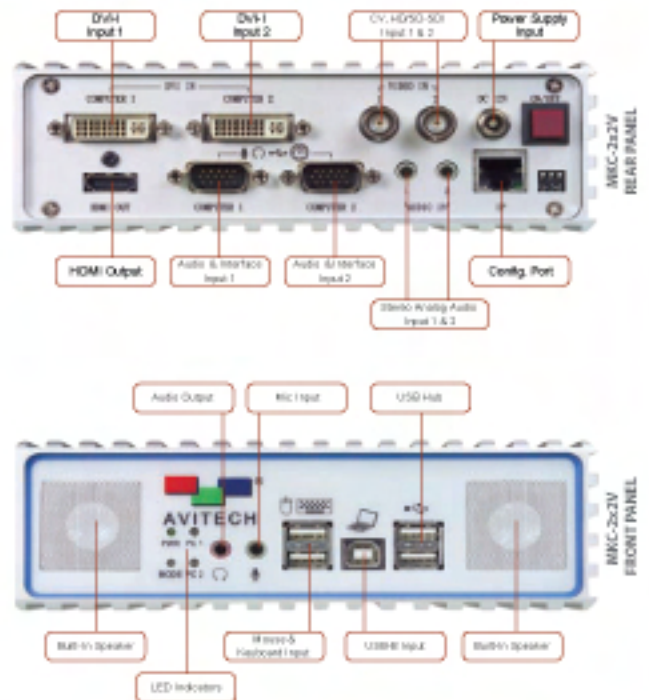


VISUAL COMMAND CENTER

Mouse and Keyboard Controller - MKC-2x2V



The Avitech Mouse Keyboard Controller (MKC-2x2V) integrates the functions of a KVM, Mic/Audio/Speaker, USB Hub, and Multiviewer into one enclosure.

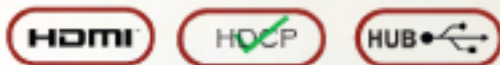


MKC-2x2V allows users to control up to two computers, monitor two video sources, and adjust the video inputs to any size or location by simply pressing the keyboard hotkeys or using a mouse.

Module Type	Video Input	DVI Input
MKC-2a2V	2 CV (PAL/NTSC)	2
MKC-2U2V	2 CV & HD/SD-SDI	2

Features:

- Supports up to 2 computers on a single display
- Compatible with USB and PS/2 based computers
- Automatic output monitor resolution detection
- Switch PCs via hotkeys or via host cursor directly
- Supports VGA and DVI/YPbPr computer inputs
- Front panel LED indicators
- USB hub supports portable USB devices
- HDCP-compliant
- Plug-and-play
- Full screen computer and video window
- Automatic sensing of input signals



Use the mouse and keyboard hotkeys to control up to two computers, or harness the onboard mouse and keyboard of an attached computer, or laptop, for support of the MKC-2x2V console.

Available at VMI, Inc.
www.vmivideo.com

Northern California:
408.745.1700
Sacramento Area:
916.369.6911
Southern California:
714.894.6100

Western Washington
425.778.1330
Eastern Washington
509.532.0118

VISUAL COMMAND CENTER

Mouse and Keyboard Controller - MKC-2x2V

Video and Audio Control

- Picture-in-Picture (PiP) overlap display
- Video loss detection / Alarm
- Image / Gain: automatic or manual adjustment
- Crop image / Pan image
- Accepts embedded and analog audio
- HDMI audio output

On-Screen Displays

- 3D borders
- Labels
- Pop-up menu controls
- Active window indicator

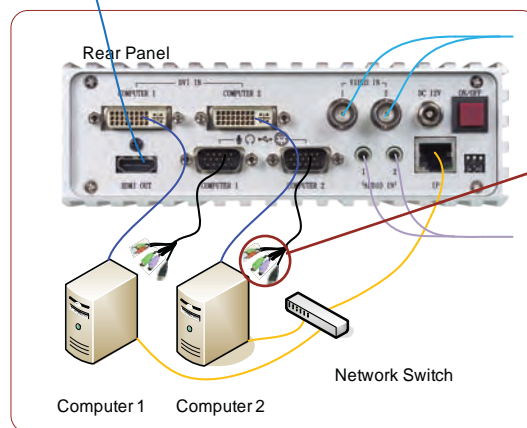
Specifications

Input Ports	2 x CV, HD/SD-SDI (BNC) 2 x VGA, DVI, YPbPr (DVI-I) 2 x Analog Audio (Mini RCA Phono Jack) 1 x Keyboard (USB) 1 x Mouse (USB) 2 x USB Hub 2.0 1 x Computer (USB-B Type) 2 x Audio/Mic/PS-2/USB (DB-15) 1 x 12V DC power Input	
Output Ports	1 x HDMI output (HDCP-compliant) 1 x Analog Audio and 1x Mic	
PC Connections:	Up to 2 Units (maximum)	
LED for Host / PC	Green Light when On-Line Amber Light when Ready	
Operating System Compatibility	Microsoft OS: Windows 98 SE, 2000 Professional, NT, XP, Vista Linux OS: Fedora 10, Ubuntu 8.1, Scientific 5.2, RedHat 5.1, Mint 6.0, Debian 5.0, PC Linux OS 2009, Open SUSE 11.1, Mandriva Mac OS	
Port Switching Method	Using Keyboard Hot Keys Using Mouse Combination Keys Utilizing the Mouse and Keyboard of a PC or MAC via the Hook Software.	
Power Supply	100~240 V, 50/60Hz (external) 12V DC, 5A, 35~40W	
Housing	Metal (Al)	
Dimensions	267.94x175x56.6 mm 10.54x6.88x3.42 inch	
Environment	Temperature	Operating: 0°C (32°F) to 40°C (104°F) Storage: -10°C (-4°F) to 50°C (122°F)
	Humidity	0% to 80% relative, non-condensing
Safety Regulations: FCC, CE, C-Tick, Class A		

Accessories

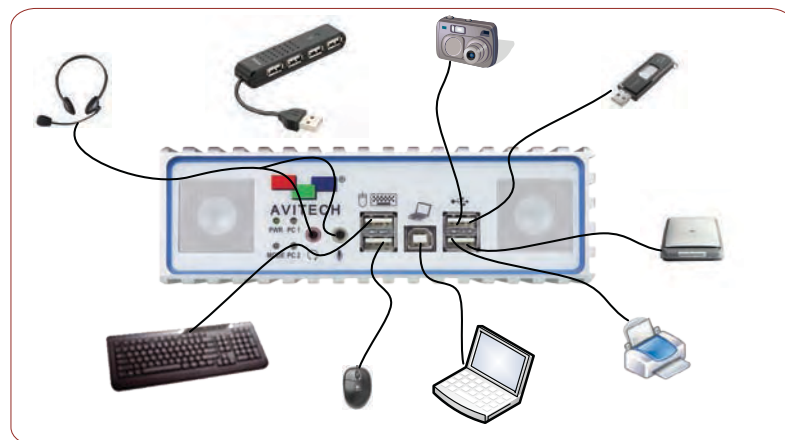
- 2x MKC-2x2V all-in-one Cable (L:1.8m)
- HDMI Cable (L:1.8m)
- HDMI to DVI Adapter
- 12V DC Power Adapter
- USB A to B Cable

Configuration Example



Legend

- RJ-45 Ethernet
- DVI-I / VGA / HDMI
- CV, HD/SD-SDI
- Analog Audio
- DB-15 to USB, PS/2, and Audio



Resolution

- **Input:** (automatic sensing of input signals)
HD-SDI: 1080p / 1080i / 720p at 50 / 59.94 / 60Hz
SD-SDI: NTSC/525i, PAL/625i, 525p/59.94, 625p/50
CVBS: NTSC / PAL
DVI-in: up to 1920 x 1200 resolution
HDCP-compliant
- **Output:** (customer configurable)
Maximum: 1920 x 1200 at 50 / 60 / 75Hz